

# Research Output

## **PATENTS**

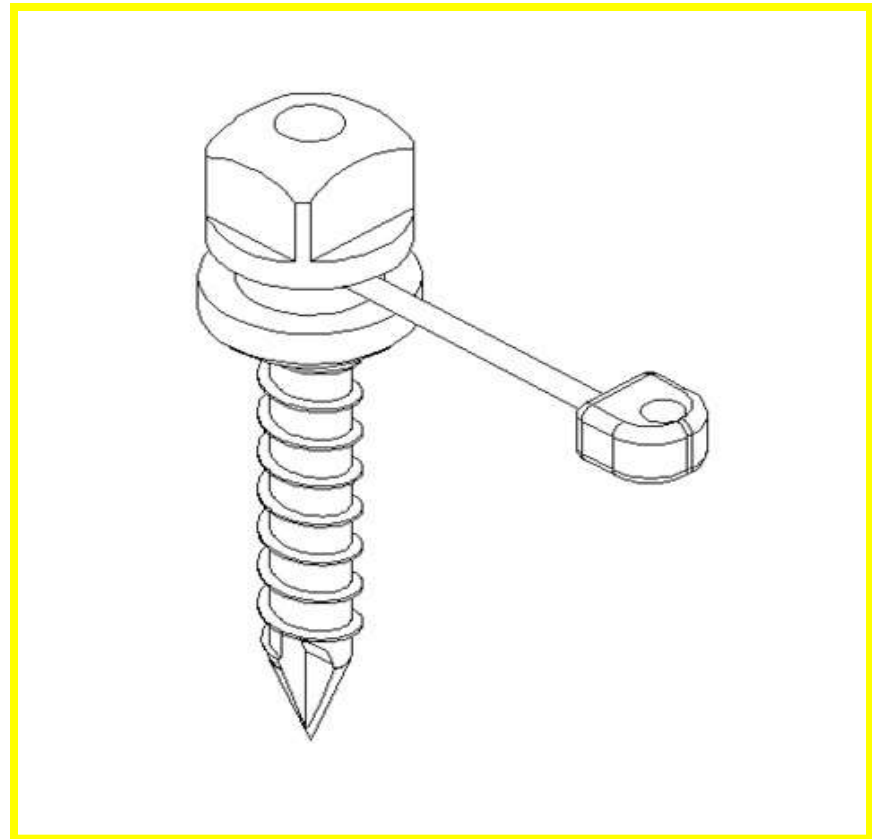
## **RESEARCH OUTPUT**

- Twelve patent applications filed
- One of the innovations received appreciation award
- One patent was a finalist in the **Medical Healthcare Innovation Awards-2013**
- Five more patent applications are in the pipeline
- Technology transfer executed on 2 innovations

# UNIVERSITY AS A PLACE FOR GENERATION OF NEW KNOWLEDGE

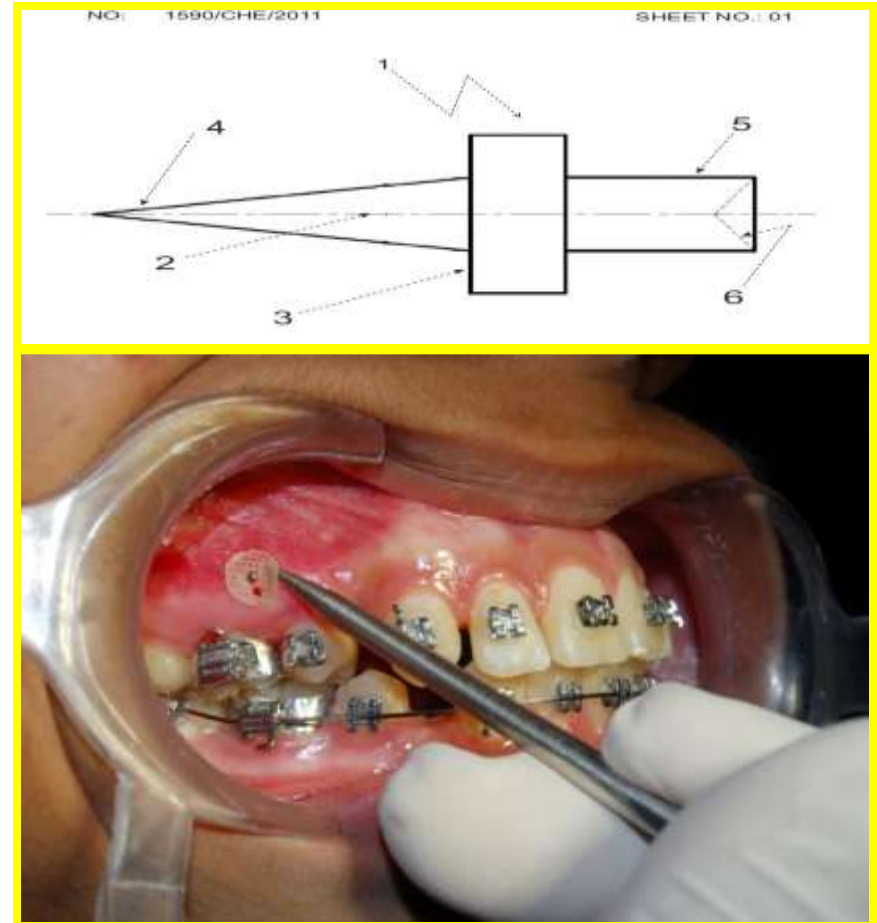
## TRIPLE-A IMPLANT SYSTEM

- The present invention relates to orthodontics implants. Particularly, this invention relates to an orthodontic implant with a built-in retraction mechanism for applying a force to intrude or retract one or more teeth



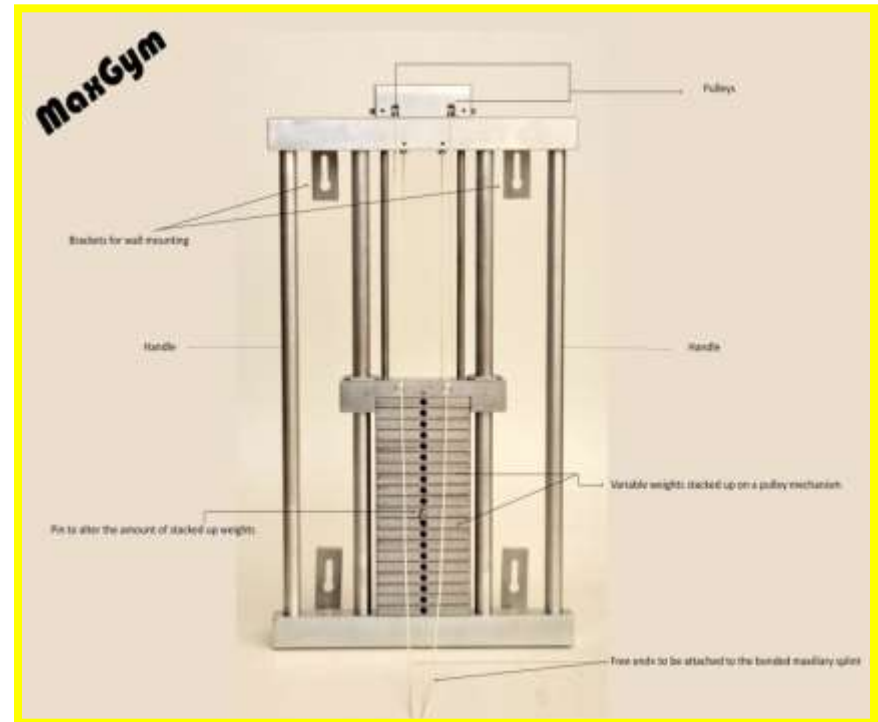
## IMPLANT SITE MARKER

- The present disclosure relates to an implant site marker, particularly a micropin used to assess possible implant sites for placement of dental implants and a simplified method adopted by an Orthodontist for practically making precise evaluation of pre-surgical radiographic implant site.
- NO: 1590/CHE/2011



## MAX GYM

Max gym is a dentofacial orthopaedic apparatus, invented and patented by PI, which is used to protract a deficient or a backwardly placed maxillary complex by using variable weights stacked up on a pulley mechanism via a maxillary splint with the hook, bonded to the upper jaw which brings about correction of class III malocclusion.



# AUTOMATED BRACKET POSITIONING DEVICE

PROTOTYPE



## ROSID LEVELLER

A DEVICE TO MEASURE PITCH,  
YAW AND ROLL IN ORDER TO  
CLINICALLY EVALUATE  
PATIENTS AND IDENTIFY  
MALOCCUSION IN VARIOUS  
PLANES OF SPACE



# APPRECIATION AWARDS

## Dr. Shakil M A Grossing Covering.

- Formalin detoxification histopathological grossing covering.



## Dr. Roshni Shetty A Laser Razor Arrangement

- A special arrangement in laser microtome.

Page 1 of 2

Patent Office  
Intellectual Property Building  
C.S. Road, Delhi, Chennai 600032  
Tel No. 081(244) 2250381, 044(2) 2250386  
E-mail: Chennai.patent@nic.in  
Web Site: www.ipindia.gov.in

GOVERNMENT OF INDIA

INTELLECTUAL PROPERTY INDIA

TO: R. K. SURESH & CO  
DARE HOUSE ANNEKE, 4TH FLOOR, NO. 44, 2ND LINE BEACH, CHENNAI - 600 091, INDIA.

Date/Time: 20/09/2012  
Agent Number:

Serial Number	C.R.N. Number	Reference Number Application Type	Application Number	TBR/Remarks	Amount Paid
1	10704	ORDINARY APPLICATION	3916CHE2012	A GROSSING COVERING	4000
2	10704	E-19/07/2012-CHE	3916CHE2012	Correspondence	0
3	10704	E-27/07/2012-CHE	3916CHE2012	Form3	0
4	10704	E-34/07/2012-CHE	3916CHE2012	Form3	0
5	10704	E-45/07/2012-CHE	3916CHE2012	Form3B	0
				Total:	4000

Received a sum of Rs. 4000 (Rupees Four Thousand only) through

Payment Mode	Bank Name	Chaque/Draft Number	Chaque/Draft Date	Amount in Rs
Cheque	Standard Chartered	201208	20/09/2012	4000

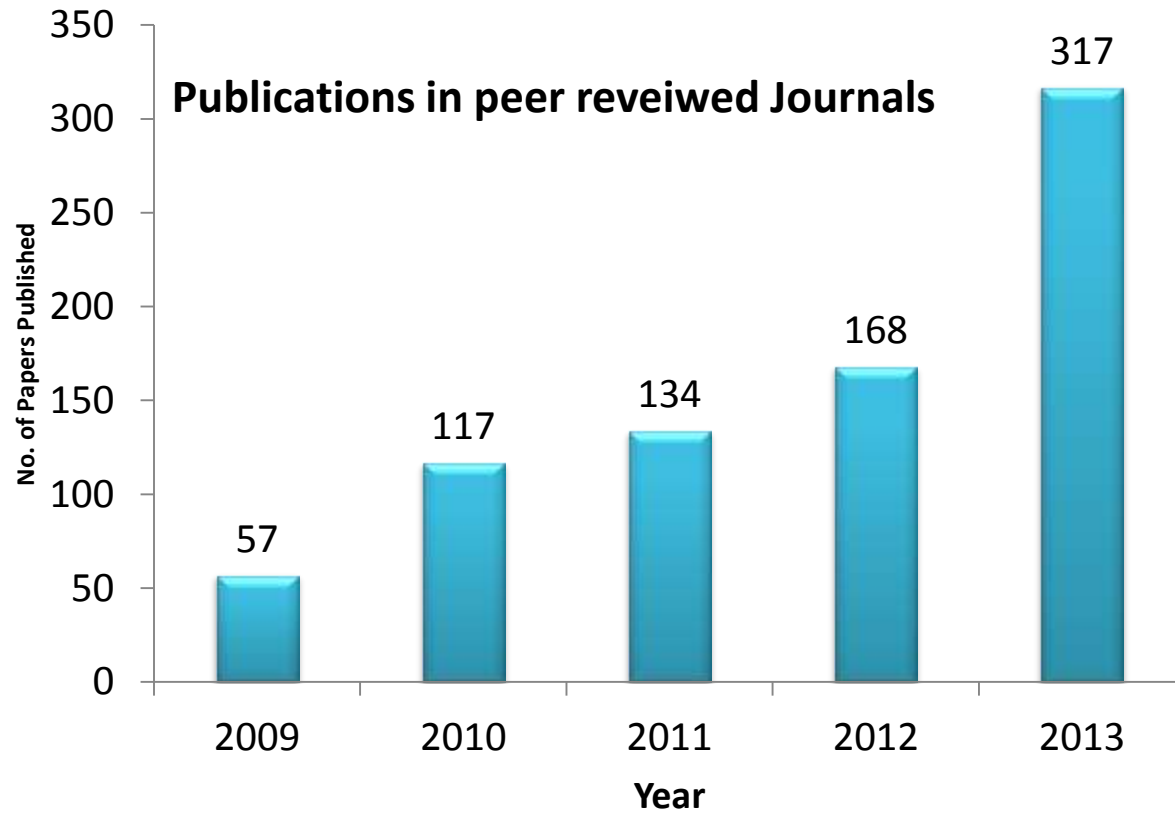
\* This receipt is issued subject to realization of cheque. In case the amount of fee as mentioned on cheque is not realized, the document so filed shall be deemed to have not been filed at the office under section 143(2) of the Patents Act 1970.

For Controller of Patents & Designs

3916/CHE/2012



## RESEARCH OUTPUT AND ITS IMPACT



Year	Book/cha pter
2009	03
2010	09
2011	03
2012	08

## **PUBLICATIONS**

### **The records of publications and citations in the SCOPUS Database**

<b>Year</b>	<b>Articles</b>	<b>Review</b>	<b>Letter/Note</b>	<b>Total</b>	<b>Total citations*</b>
<b>2009</b>	9	-	-	9	35
<b>2010</b>	29	2	2	33	101
<b>2011</b>	33	1	1	35	58
<b>2012</b>	45	3	5	53	36
<b>2013</b>	44	2	3	49	7
<b>Total</b>	<b>160</b>	<b>8</b>	<b>11</b>	<b>179</b>	<b>237</b>

Citations in Scopus for these articles as of Jan 2014\*

## **PUBLICATIONS**

### **Details of the publications in Impact Factor Journals**

<b>Journal Impact Factor*</b>	<b>No. of papers</b>		<b>Journal H-Index**</b>	<b>No. of papers</b>
<b>&lt; 0.5</b>	<b>08</b>		<b>&lt; 5</b>	<b>30</b>
<b>0.5 – 1.0</b>	<b>21</b>		<b>&gt;5 &lt; 10</b>	<b>66</b>
<b>1.0 – 2.0</b>	<b>24</b>		<b>&gt;10 &lt; 20</b>	<b>34</b>
<b>2.0 – 3.0</b>	<b>39</b>		<b>&gt;20 &lt; 50</b>	<b>51</b>
<b>&gt; 3.0</b>	<b>09</b>		<b>&gt; 50</b>	<b>47</b>
<b>Total</b>	<b>101</b>		<b>Total</b>	<b>228</b>

\* **Journal Citation Reports 2012**  
<http://www.scimagojr.com>

\*\*From **SCIMAGO Journal rank**

**The records of publications and citations in the SCOPUS Database**



Recognized under Sec. 3(A) of the UGC Act 1956

## UNIVERSITY AS A PLACE FOR GENERATION OF NEW KNOWLEDGE

### PROJECTS

#### Externally Funded Projects:

- **11** (PI based) extramural major research projects- **Total grants received: 273.11 lakhs**
- External funding agencies such as DBT, BRNS, MoEF, ICMR and other professional bodies
- **16** new projects are at various stages of consideration (applied and are under review)

#### Internally funded projects

- Supporting research projects through '**Seed grant**' scheme.
- **24** projects are ongoing with a funding of **Rs.55 lakhs**.

	Extramural Major	Intramural	Short term Research Projects		
			Faculty	Postgraduate	Undergraduate
Ongoing	5	24	33	49	39
Completed	6	6	120	160	70*

**\*Include ICMR – STS Projects**

## CONFERENCE PRESENTATIONS AND RECOGNITIONS

Year	2009	2010	2011	2012	2013	Total
Faculty	77	98	83	114	92	464
Postgraduate/undergraduates	113	105	92	126	170	606
Best paper presentation awards	Faculty		Postgraduates		Undergraduates	
	28		36		15	
Number of faculty as editors/ editorial board members					32	

## COLLABORATIONS (OVERSEAS)

<b>Collaborating Institute</b>	<b>Country</b>	<b>Purpose(s)</b>
University Medical Centre of Johannes Gutenberg University Mainz	Germany	Scholarly and cultural Co-operation
Duquesne University Pittsburgh	USA	Scholarly and cultural Co-operation
University of Murcia	Spain	Erasmus Mundus- Action 2, Strand-1 Joint project
University of Porto	Portugal	Scholarly and cultural Co-operation
Nobel College and Nobel Hospital Pvt. Ltd.	Nepal	Academic Collaboration, Research Collaboration, Exchange of Staff & Students & Joint Programs
The Smile Train	USA	International Charity Organization for Correction of Cleft and Craniofacial Anomalies
Oxford Gene Technology	UK	For specific ongoing research projects

## COLLABORATIONS (OVERSEAS)



Exchange of MoU between Dr. Rheinhard Urban, Dean, Faculty of Medicine, Johannes Gutenberg University, Mainz, Germany and Dr. Ghulam Jeelani Qadiri, Dean, Faculty of Medicine, Yenepoya University, Mangalore, India for academic, research and staff/student collaboration between Department of History, Philosophy & Ethics of Medicine, JGU and Centre for Ethics, YU – February 2011

Exchange of MoU between Dr. Henk Ten Have, Director Director, Center for Healthcare Ethics, Duquesne University, Pittsburgh, USA (former Director UNESCO Division of Ethics of Science and Technology - Paris) and Dr. Vina Vaswani, Director, Centre for Ethics, Yenepoya University, Mangalore, India – Amsterdam, The Netherlands - May 2011



## **COLLABORATIONS (NATIONAL)**

<b>Collaborating Institute</b>	<b>Country</b>	<b>Purpose(s)</b>
Agappe Diagnostics, Kerala	India	Research Collaboration and Technology Transfers
Mangalore Institute of Oncology, Mangalore	India	Research, training & patient care
Govt. of Kerala	India	Treatment for Endosulphan exposed population in Kerala
Yen- Sahayog: MOU with 17 Service organizations and Institutions	India	Providing Health Care Services and Research
Shagil Precisions India Ltd. Mangalore	India	Development of Medical Devices and Precision equipments (under process)
The School of Social Work, Roshni Nilaya, Mangalore	India	Academic collaboration, research collaboration and staff and student exchange
Dept. of PG Studies and Research in Chemistry, Mangalore University	India	Research & training in pharmaco-chemistry and synthetic drug development and testing
Pushpagiri Research Centre, Kerala	India	Joint Research & training in Molecular Biology
St. Aloysius College, Mangalore	India	PG Dept.of Biochemistry & PG Dept. of Pharmacology
Mangalore University, Mangalore	India	PG Dept, studies and research in Chemistry



# COLLABORATIONS (NATIONAL)



[BACK](#)

## DOCTORAL DEGREE PROGRAMME

- Started in 2009 under a senior faculty as Deputy Director for PhD programmes
- UGC Regulations 2009 and the regulations of the other National Regulatory bodies followed
- 104 PhD scholars registered under 32 research guides
- 16 PhD degrees notified
- 21 theses submitted
- 34 synopses submitted
- 106 research articles published by research scholars

## **DOCTORAL PROGRAMME**

(as per the UGC Ph.D Regulations, 2009 & Regulations of National Regulatory Bodies)

<b>Batch</b>	<b>YMC</b>	<b>YDC</b>	<b>YNC</b>	<b>YPC</b>	<b>YRC</b>	<b>Total</b>
<b>March 2009</b>	21	5	3	4	2	<b>35</b>
<b>September 2009</b>	6	3	4	-	-	<b>13</b>
<b>March 2010</b>	2	1	9	-	4	<b>16</b>
<b>January 2011</b>	6	7	-	-	1	<b>14</b>
<b>July 2011</b>	1	-	-	-	2	<b>3</b>
<b>January 2012</b>	3	2	-	1	1	<b>7</b>
<b>July 2012</b>	4	1	2	-	-	<b>7</b>
<b>January 2013</b>	3	-	2	-	1	<b>6</b>
<b>July 2013</b>	2	-	1	-	-	<b>3</b>
<b>Total</b>	<b>48</b>	<b>19</b>	<b>21</b>	<b>5</b>	<b>11</b>	<b>104</b>